

## TECHNICAL DATASHEET

# BANSHEE EXCEL LITE™ CHX/CHL SOUNDER BEACONS

The Banshee Excel Lite™ combines the aesthetics and performance of the Excel Sounder with either a very bright and efficient Xenon Beacon (CHX model) or a low-current LED Beacon (CHL model).

The sounder is fitted with a professional capsule driven horn and comes with 32 user-selectable tones incorporating low frequencies, high frequencies, European, American and Australian norms and all industry-standard frequency patterns.

Manufactured in flame retardant polymer, the units are available in a choice of base colours and up to 5 different lens colours, making it suitable for a range of fire and security dual notification applications as well as DDA-compliant installations. All models use the push and twist bayonet fitting BansheeMT base.

Tested and approved to EN 54 Part 3, the Banshee Excel Lite™ boasts leading acoustics, aesthetically pleasing design and low power consumption. The units are designed for ease of installation and are complemented by a wide selection of accessories to suit all applications.



## FEATURES

- Available with either Xenon or LED Beacon with a red or white body
- Choice of lens colours with CPR (CHX: Red, Clear, Amber, Blue, Green / CHL: Red, Clear)
- Sounder has 32 user-selectable tones - industry standard compatible
- Very low current consumption
- EN 54-3 tested and fully approved in accordance with CPR
- LPCB approved
- Easy to install with side and rear cable entry
- Robust 'two in two out' 2.5 mm<sup>2</sup> terminals
- Choice of three volume levels
- Rated to IP 66 or IP 45
- Uses same bases as BansheeMT - simple push and twist bayonet
- Mounting with locking screw
- Extensive family of accessories for a wide range of applications
- Recyclable

## SPECIFICATION

Operating Voltage (V dc):	9-30
Operating Voltage EN 54-3 (V dc):	24 (20 -28)
Tone Current Consumption (mA):	See Sound Output Table#
Sound Output (dBA Typ @1 m):	See Sound Output Table#
Tones Available:	See Sound Output Table#
Flash Current Consumption (mA): <sup>‡</sup> - @24 V dc - @12 V dc	40 (CHX), 16 (CHL) 90 (CHX), 12 (CHL)
Light Output Rating (Cd):	TBC
Flash Rate (Per Second):	1
Body Colours:	Red or White
Temperature Range (Deg C):	-15 to +40 (CHX) -20 to +70 (CHL)
Volume Control:	High, Medium (-10 d B(A)) Low (-20 d B(A))
Environment Category / IP Rating:	Type A/IP 45 Std Base Type B/IP 66 Deep Base

<sup>‡</sup>Flash current consumption is additional to sounder tone current  
All units meet minimum requirements of IP 21C Shallow Base and IP 33C Deep Base in accordance with EN 54-3

## APPROVALS

### CHL Series

2831-CFR-F1835



### CHX Series

2831-CFR-F1834



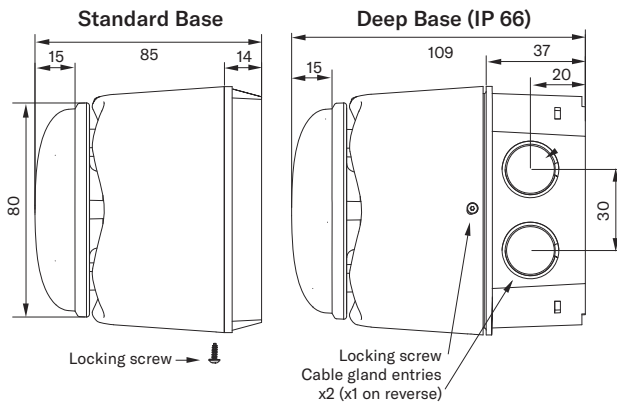
## CHOICE OF LENS COLOUR:



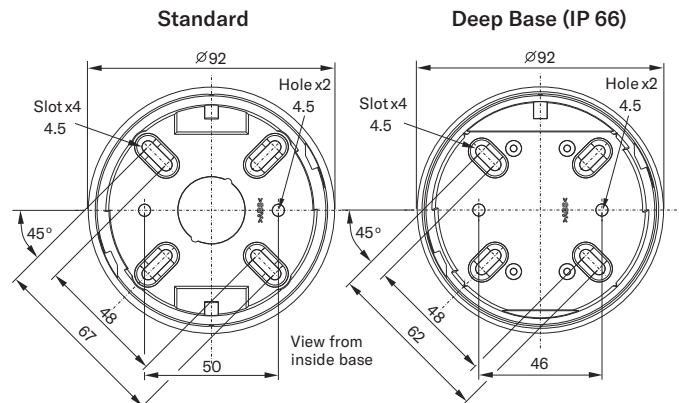
# BANSHEE EXCEL LITE™ CHX/CHL SOUNDER BEACONS

## INSTALLATION

### BANSHEE EXCEL LITE™ CHX/CHL SOUNDER BEACON



### BANSHEE EXCEL™ COMMON BASE



## # Sound Output Table & Tone Specification

No.	DIL SW 1 2 3 4 5	Description	Frequency and timing	2nd Ton	(12V) dBA	(24V) dBA
1	0 0 0 0	Banshee Buzz LF	800Hz to 950Hz swept at 120Hz	4	94	6 100 12
2	1 0 0 0	<b>Banshee Fast Sweep LF*</b>	<b>800Hz to 950Hz swept at 9Hz</b>	4	94	6 100 12
3	0 1 0 0	Banshee Slow Sweep LF	800Hz to 950Hz swept at 3Hz	4	94	6 100 12
4	1 1 0 0	Banshee Continuous LF	Continuous at 900Hz	4	94	6 100 12
5	0 0 1 0	Banshee Fast Sweep LF (New)	830Hz to 970Hz swept at 9Hz	4	93	6 100 12
6	1 0 1 0	<b>Medium Sweep LF*</b>	<b>800Hz to 970Hz swept at 1Hz</b>	7	94	6 100 12
7	0 1 1 0	Continuous LF	Continuous at 950Hz	7	94	6 99 13
8	1 1 1 0	Back Up Alarm LF	Intermittent at 950Hz 1 sec on, 1 sec off	4	93	6 99 14
9	0 0 0 1	Alternate LF	Alternating 800Hz/1000Hz at 1Hz	4	94	6 100 13
10	1 0 0 1	Medium Sweep LF	800Hz to 1000Hz swept at 0.5 secs	4	94	6 100 12
11	0 1 0 1	Alternate LF	Alternating Tones 800/950 at 3Hz	4	94	6 101 12
12	1 1 0 1	Banshee Buzz HF	2400Hz to 2900Hz at 120Hz	15	102	16 109 35
13	0 0 1 1	Banshee Fast Sweep HF	2400Hz to 2900Hz at 9Hz	15	103	17 110 35
14	1 0 1 1	Banshee Slow Sweep HF	2400Hz to 2900Hz at 3Hz	15	103	17 110 35
15	0 1 1 1	Banshee Continuous HF	Continuous 2900Hz*	15	103	19 109 39
16	1 1 1 1	Banshee Fast Sweep HF (New)	2450Hz to 3100Hz swept at 9Hz	15	103	18 109 36
17	0 0 0 1	Back Up Alarm HF	Intermittent at 2900Hz 1 sec on, 1 sec off*	15	103	18 109 37
18	1 0 0 1	Alternate HF	Alternating Tones 2400/2900 at 3Hz	15	104	17 110 36
19	0 1 0 1	<b>Slow Whoop*</b>	<b>500Hz rising to 1200Hz over 3.5 secs, silence 0.5 sec</b>	4	95	6 101 12
20	1 1 0 1	<b>Din Tone (DK)*</b>	<b>1200Hz falling to 500Hz over 1 sec, silence 10mS, repeat</b>	4	93	5 100 10
21	0 0 1 1	<b>French Fire Sound*</b>	<b>554Hz for 100mS and 440Hz for 400mS</b>	4	90	4 96 7
22	1 0 1 1	Australian Alert Signal	420Hz repeating 0.625 sec on, 0.625 sec off	4	89	3 94 6
23	0 1 1 1	Australian Evacuation Signal	500Hz to 1200Hz sweeping; 3.75 secs on, 0.25 secs off	4	95	6 101 12
24	1 1 1 1	US Temporal Tone LF	950Hz for 0.5 sec on, 0.5 sec off for 3 phases, silence for 1.5secs and repeat	4	93	5 99 10
25	0 0 0 1	US Temporal Tone HF	2900Hz for 0.5 sec on, 0.5 sec off for 3 phases, silence for 1.5secs and repeat	15	103	13 109 27
26	1 0 0 1	Swedish Tone (Fire)	Intermittent 660Hz 150mS on, 150mS off	26	90	3 96 6
27	0 1 0 1	Swedish Tone (All Clear)	Continuous 660Hz	27	91	5 97 9
28	1 1 0 1	ISO8201 LF	Intermittent 970Hz 500mS on, 500mS off	28	90	5 96 10
29	0 0 1 1	ISO8201 HF	Intermittent 2900Hz 500mS on, 500mS off*	29	103	13 109 27
30	1 0 1 1	BT Banshee (FPI063.1)	Yodel 800Hz/1000Hz, 0.25sec each frequency	31	94	6 100 12
31	0 1 1 1	BT Banshee (FPI063.1)	Continuous 1000Hz	31	88	6 94 14
32	1 1 1 1	Bell Tone	Bell Tone	32	94	12 99 25

Notes: \*Tones highlighted in bold are approved under the Construction Product Directive; Sound output (dBA) and current (mA) values are typical.

## PART NUMBERS - SPARES & ACCESSORIES

- 8502700: Mains Pack - 110 Vac/230 V ac input 24 V dc output
- 8502800: Cable Spacing Ring for Surface Wiring of sounder
- 8502900: Flush Mounting Ring - for Banshee Excel, Excel Lite
- 8503000: Combination bracket - for Sounders and Strobes
- 8503100: External Fixing Clip for Deep Base (avoids drilling base thus retaining IP 66 rating)
- BA87331/P: Deep Base - White, complete with 'O' Ring
- BA87341/P: Deep Base - Red, complete with 'O' Ring
- BA87351/P: Deep Base - Grey, complete with 'O' Ring

## PART NUMBERS - SOUNDER

(Model-Body Col/Lens Col/ Base)

- 958CHL1000: CHL-Red/Red/Std
- 958CHL1001: CHL-Red/Red/Deep
- 958CHL1100: CHL-Red/Clear/Std
- 958CHL1101: CHL-Red/Clear/Deep
- 958CHL1500: CHL-White/Red/Std
- 958CHL1501: CHL-White/Red/Deep
- 958CHL1600: CHL-White/Clear/Std
- 958CHL1601: CHL-White/Clear/Deep
- 958CHX1000: CHX-Red/Red/Std
- 958CHX1001: CHX-Red/Red/Deep
- 958CHX1100: CHX-Red/White/Std
- 958CHX1101: CHX-Red/White/Deep
- 958CHX1200: CHX-Red/Amber/Std
- 958CHX1201: CHX-Red/Amber/Deep
- 958CHX1300: CHX-Red/Blue/Std
- 958CHX1301: CHX-Red/Blue/Deep
- 958CHX1400: CHX-Red/Green/Std
- 958CHX1401: CHX-Red/Green/Deep
- 958CHX1500: CHX-White/Red/Std
- 958CHX1501: CHX-White/Red/Deep
- 958CHX1600: CHX-White/Clear/Std
- 958CHX1601: CHX-White/Clear/Deep
- 958CHX1700: CHX-White/Amber/Std
- 958CHX1701: CHX-White/Amber/Deep
- 958CHX1800: CHX-White/Blue/Std
- 958CHX1801: CHX-White/Blue/Deep
- 958CHX1900: CHX-White/Green/Std
- 958CHX1901: CHX-White/Green/Deep

## Vimpex LTD

Star Lane, Great Wakering,  
Essex SS3 0PJ, UK  
t. +44 (0) 1702 216999  
e. sales@vimpex.co.uk  
www.vimpex.co.uk



DS/3700095 ISS5

We reserve the right to change or amend any design or specification in line with our policy of continuing development and improvement.

K. D. Fisher & Co. Pty Ltd ABN 27 007 879 647

Head office 18 Benjamin Street St Marys SA 5042

T +61 8 8277 3288 T 1300 533 474

E kdf@kdfisher.com.au

kdfisher.com.au