

# Banshee IS28 MK6

## INTRINSICALLY SAFE SOUNDER



**With 32 high and low frequency tones to suit a wide range of applications.**

Group I Mines Approved Ex ia I Ma, IECEx TSA 17.0014X  $-40^{\circ}\text{C} \leq \text{Tamb} \leq +70^{\circ}\text{C}$ .

ATEX and IECEx approved for use in zones 0 and 20 (Gas and Dust) and is suitable for use in zones 1, 2, 21 and 22.

The product should only be connected to the monitored driving circuit via an certified galvanic isolator or zener barrier.

### Features

- Based on the world class Hosiden Besson Banshee Sounder
- Gas and dust approvals
- 32 tones
- Volume control via DIP Switch
- High output
- Low current consumption
- IP66 rated

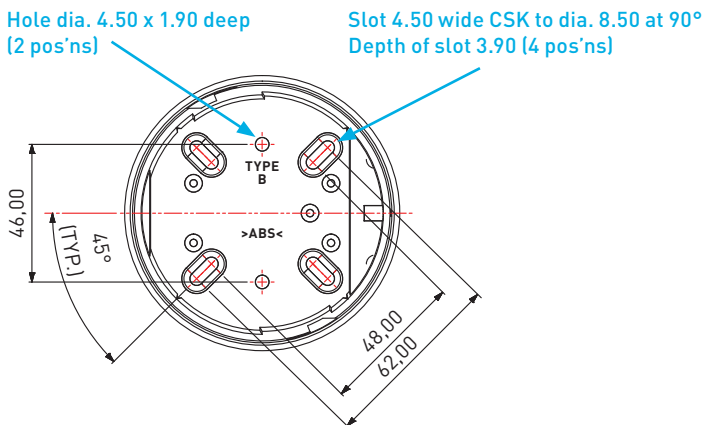


# Banshee IS28 MK6 Specifications

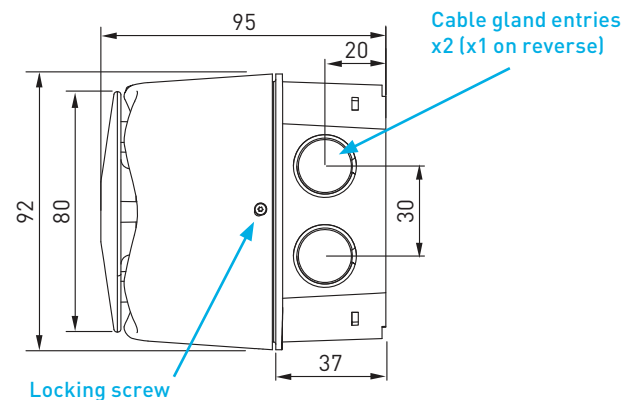
Last updated: July 2020

Ordering code	IS28MK6
Power supply	24 Vdc
Typical current	15 mA (high frequency tones), 11mA (low frequency tones) @24 Vdc via a 28 V300 barrier)
Output @1 m	98 dBA (high frequency) 90 dBA (low frequency)
Intrinsic safety approval	EN 60079-0:2012 + A11:2013, General Requirements EN 60079-11:2011, Intrinsic Safety 'i' Group II, Category I, Explosive Atmosphere G (Gas) and D (Dust) IECEX TSA 17.0014X IECEX ITS17.0011X ATEX ITS 17ATEX201739X Ex ia IIC T5 Ga Ex ia IIIC T100degC Da IP66 ATEX - II IGD Ex ia T5 Ga
Installation	Connection must be made via a certified galvanic isolator or zener barrier with output parameters not exceeding $U = 28\text{ V}$ , $I_i = 93\text{ mA}$ , $P_i = 0.65\text{ W}$ , $L_i = 0$ , $C_i = 0$ . The output current of the barrier must be limited by resistor 'R' such that $I_i = U_i/R$ .
Suitable for zones	0, 1, 2, 20, 21 and 22
Operating temperature	-40°C to +70°C
IP Rating/Material	IP66 / ABS (When installed with Fixing Clip)
Weight	262 g

## Installation

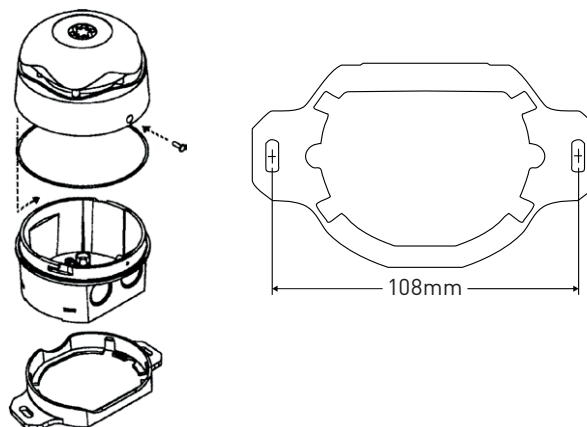


## Dimensions (mm)



## Fixing Clip

The clip mounting bracket must only be used for mounting the sounder to ensure IP66 protection (the base must not be drilled), the 'O' ring must be fitted between the base and the head, the head retaining screw fitted to stop the head being removed especially in exposed locations.



Quality System Certificate No. 456  
Assessed to ISO 9001:2000

K. D. Fisher & Co. Pty Ltd

Head office 18 Benjamin Street, St Marys SA 5042, T +61 8 8277 3288  
T 1300 533 474, E kdf@kdfisher.com.au

kdfisher.com.au

**kdf** Gas Detection Specialists