

# SafeCellar™



## SafeCellar™ is the cost effective Carbon Dioxide (CO<sub>2</sub>) and Oxygen (O<sub>2</sub>) monitor for breweries, wineries, cellars, beverage dispensing areas, fast food outlets, hospitals, universities and industrial laboratories.

From fermentation through to distribution, CO<sub>2</sub> is one of the most common hazards to health in breweries, cellars and drinks outlets. It is also the fourth most abundant gas in the atmosphere. Long term exposure to only 0.5% volume represents a toxic health hazard. Concentrations greater than 15% volume can lead to death.

SafeCellar™ has been designed specifically to warn personnel of these hazards.

### Simple to use

- Clear Large LCD display for gas readings
- Bright LEDs and loud, distinctive alarms
- Two buttons for routine operation and testing
- Remote Display units complete with cable
- Built-in Calibration Function (Calibration Gas required)
- Available as single CO<sub>2</sub> or dual CO<sub>2</sub> / O<sub>2</sub> models

### Secure and robust

- IP54 protection against dust and water ingress
- Tough polycarbonate case
- Wide operating temperature range
- Dual-band infrared sensor for CO<sub>2</sub>

### Protection

- Continuous monitoring for CO<sub>2</sub> in cellars and other confined spaces
- Optional O<sub>2</sub> sensor to detect asphyxiation hazards due to nitrogen or argon cylinder leaks
- Alarm 1 relay/s to turn on ventilation fans
- Alarm levels comply with AS5034 - 2005

### Economical

- Only turn on ventilation fans when they are needed
- Long-term maintenance-free operation
- Minimal sensor calibration requirements
- Long-life sensors

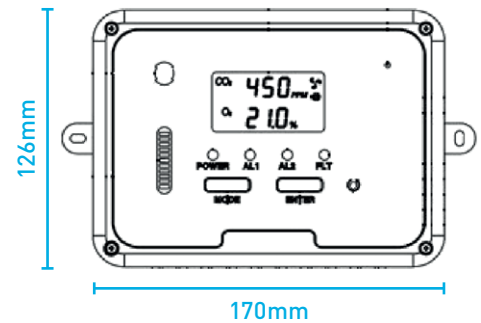
Alarm Levels Specification: in accordance with AS5034:2005.

	Low Alarm	High Alarm
Carbon dioxide (CO <sub>2</sub> )	1.5%	3.0%
Oxygen (O <sub>2</sub> )	19.0%	18.0%

Other alarm level settings are user adjustable.

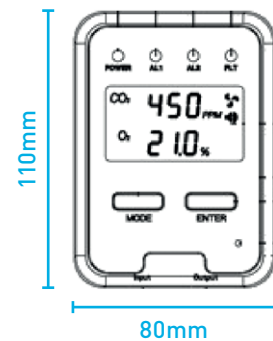
## SafeCellar™ Sensor Unit (SEU)

Dimensions	170 x 126 x 63mm
Weight	459g
Power Pack	Input 110-240 VAC, 50/60 Hz Output 6 VDC ~ 0.5 A
Operating temperature	0°C to 50°C (32°F to 122°F)
Warm up time	< 60 seconds at 22°C
IP rating	IP 54
Display	Large LCD Display
Instrument status indicators	2 gas level concentration alarm LEDs, red 1 fault alarm LED, yellow 1 power LED, green flashing 1 sounder (80dB @ 10cm)
AL1 (First Alarm Level)	CO <sub>2</sub> : 5000ppm, 1 / 1.5 / 2%, Default AL1=1.5% O <sub>2</sub> : 18%, 18.5%, 19%, 19.5%, 20%, Default AL1=19%
AL2 (Second Alarm Level)	CO <sub>2</sub> : 1.5 / 2 / 2.5 / 3 / 3.5 / 4%, Default AL2=3% O <sub>2</sub> : 16%, 16.5%, 17%, 17.5%, 18%, Default AL2=18%
Power Pack cable length	2m
Humidity	0-95 % RH non-condensing
Relay outputs - CO <sub>2</sub> unit only - CO <sub>2</sub> / O <sub>2</sub> unit only	1 X SPCO (10A @ 250 VAC/5A @ 30 VDC) 2 X SPCO (10A @ 250 VAC/5A @ 30 VDC)



## Remote Display Unit (RDU)

Dimensions	80mm x 110mm x 35.70mm
Weight	130g
IP rating	IP 54
Display	Large LCD Display
Instrument status indicators	2 gas level concentration alarm LEDs, red 1 fault alarm LED, yellow 1 power LED, green flashing 1 sounder (80dB @ 10cm)
Cable length	8m standard, other lengths available



Standard Kit Contents	Sensor Unit, Remote Display Unit, 240 VAC to 6 VDC Plug Pack, 8m SEU to RDU link cable
-----------------------	--

The SafeCellar™ is specifically designed for the detection of CO<sub>2</sub> and O<sub>2</sub> (optional) where there is a risk of asphyxiation. Remote display units are used to alert personnel, outside in the safe area, to the presence of a hazardous situation in the area being protected, to prevent entry. Up to 3 Remote Display Units can be daisy chained to a single SafeCellar™ Sensor Unit (SEU).

### CARBON DIOXIDE FACTS

- >1.5%: hyperventilation, headaches
  - >3%: perspiration, breathing difficulty
  - >4%: USA • NIOSH • IDLH\*\*
  - >6%: tremors, visual disturbance
  - >10%: unconsciousness, death after a few hours
  - >15%: death within minutes
- \*\* IDLH = Immediate Danger to Life & Health

K. D. Fisher & Co. Pty Ltd

Head office 18 Benjamin Street, St Marys SA 5042, T +61 8 8277 3288  
T 1300 533 474, E kdf@kdfisher.com.au

kdfisher.com.au