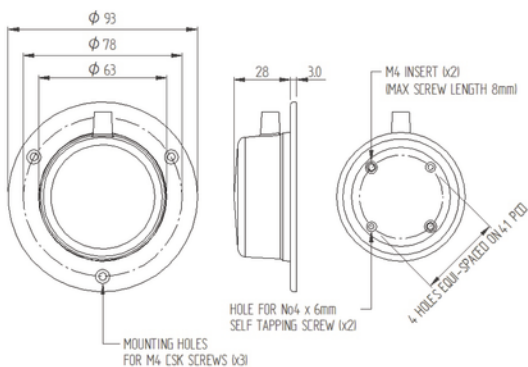




- ▶ Ideal for hand or foot operation
- ▶ Tough flexible cover
- ▶ Choice of colours (others available)
- ▶ Change over contact variant
- ▶ Available with plastic base plates for added stability or permanent fixing or additionally with anti-slip rubber or foam pads

Specifications	
Standards/approvals	Low voltage directive 2014/35/EU
Degree of protection	EN 60529 IP67 (IP68 upon request)
Connection method	Stripped cable cores or connector of your choice
Electrical rating	SPST N/O, SPST N/C, SPCO
Contact configuration	See table below
Pressure range	n/a
Operating temperature range	-5°C to +60°C
Body material	Thermoplastic
Weight	0.25 kg
Additional information	250V AC versions available upon request Non mounting hole versions supplied with foam pad

## Dimensions





## Ordering information

(Please use the characters in the chart below to create your product code)

**Sample Code**      6240   -   A   C   A   A   -   A   A   00

### Colour Option

A	Black
B	Grey
C	White
D	Red
F	Green

### Mounting option

C	No mounting plate but with M4 inserts fitted
F	Black plastic plate with mounting holes
G	Black plastic plate without mounting holes
H	Chrome plated plastic plate with mounting holes
J	Chrome plated plastic plate without mounting
Z	No mounting plastic or inserts supplied

### Contact configuration

A	SPST N/O
B	SPST N/C
C	SPCO (3-core cable minimum)

### Cable length

A	2m
B	3m
C	5m
D	10m

### IPX7 cordset electrical rating

A	3A 24V AC/DC, 2-core black cable, silver contacts
C	0.1A 24V AC/DC, 2-core black cable, gold contacts
D	3A 24V AC/DC, 3-core black cable, silver contacts
F	0.1A 24V AC/DC, 3-core black cable, gold contacts
Z	No option chosen

### IP40 cordset rating

A	3A 24V AC/DC, 2-core black cable, silver contacts
C	0.1A 24V AC/DC, 2-core black cable, gold contacts
D	3A 24V AC/DC, 3-core black cable, silver contacts
F	0.1A 24V AC/DC, 3-core black cable, gold contacts
Z	No option chosen

**Stock models:**    6240-AFAA-ZA00  
                              6240-DFAA-ZA00

Part Number	Description
6202-0001	Single Black RAL 9005 guard
6202-0002	Single Grey RAL 7035 guard
6202-0003	Twin Grey RAL 7035 guard



### Australian Distributor

**K. D. Fisher & Co. Pty** Ltd ABN 27 007 879 647  
 Head office 18 Benjamin Street St Marys SA  
 5042 T +61 8 8277 3288 T 1300 533 474  
 E [kdf@kdfisher.com.au](mailto:kdf@kdfisher.com.au) [kdfisher.com.au](http://kdfisher.com.au)



If you require a customized solution for your program contact our sales team.