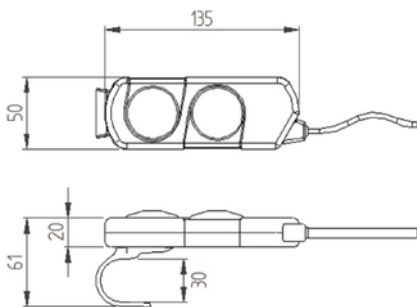




Specifications	
Standards/approvals	Low voltage directive 2014/35/EU
Degree of protection	EN 60529 IP67
Connection method	Various connectors or free wire ends
Electrical rating	24V 3A
Contact configuration	Normally open
Pressure range	n/a
Operating temp. range	-5 to +40°C
Body material	Thermoplastic
Weight	0.4 kg
Additional information	Various attachment methods and labels available

Dimensions

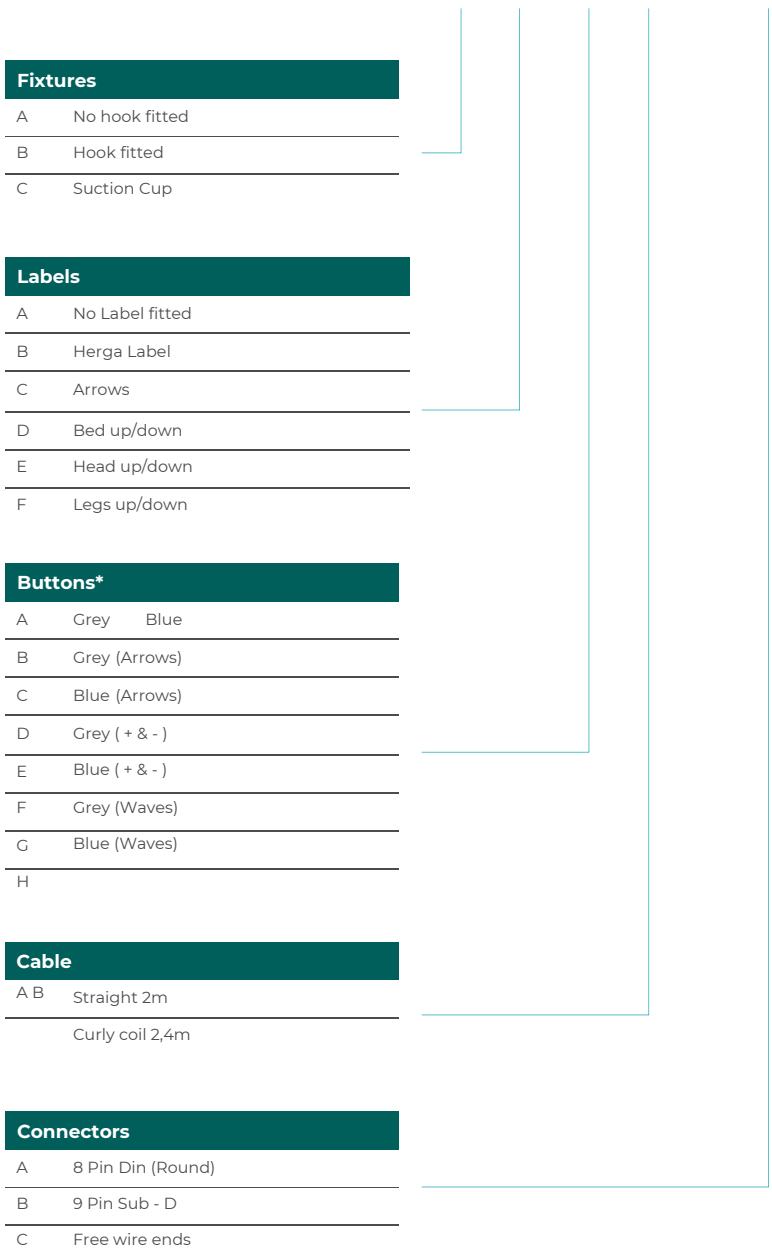




Ordering information

(Please use the characters in the chart below to create your product code)

Example Code 6271 - A A A A - A ZZZ



* Customised designs are possible



Australian Distributor

K. D. Fisher & Co. Pty Ltd ABN 27 007 879 647

Head office 18 Benjamin Street St Marys SA

5042 T +61 8 8277 3288 T 1300 533 474

E kdf@kdfisher.com.au kdfisher.com.au

If you require a customized solution for your program contact our sales team.