

- ▶ **UL/CSA approved versions of the models shown below are available upon request**
- ▶ **Ideal for OEM applications**
- ▶ **Back or side entry spout**
- ▶ **Choice of latching and momentary actions available**

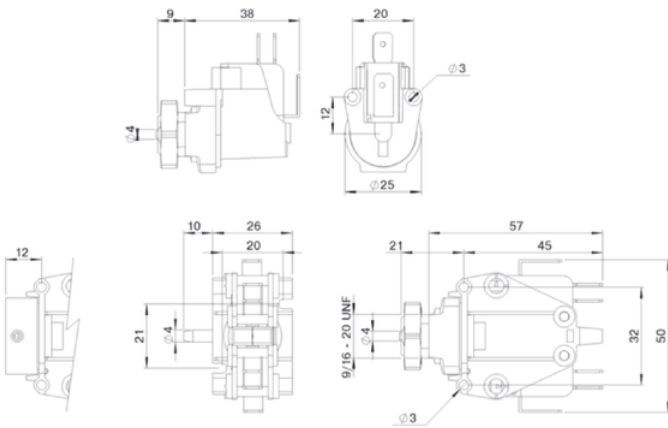
Specifications	
Standards/approvals	UL 508; CSA C22.2 No. 0, C22.2 No. 55 specific models only. All major European approvals
Degree of protection	n/a
Connection method	via back or side entry spouts
Operating temperature range	-5°C to +40°C
Body material	Thermoplastic
Weight	6871 - 0.02 kg; 6872 - 0.04 kg
Additional information	Double diaphragm variants available upon request Temperature compensated versions available upon request



Stock models					
Model part no.	6871-OC	6871-AC	6872-OC	6872-AC	6872-HC
No. of poles & action	SPCO momentary		SPCO latching		DPCO (1 pole momentary)
Spout connection			back entry 4mm Dia.		
Alternate spout model no.	back entry 2mm 6871-OK side entry 4mm 6871-01	back entry 2mm 6871-AK side entry 4mm 6871-A0	back entry 2mm 6872-OK side entry 4mm 6872-00	back entry 2mm 6872-AK side entry 4mm 6872-A0	back entry 2mm 6872-HK side entry 4mm 6872-H0
Connecting tube part no's			2311-08 to suit 4mm dia. spout 2311-01 to suit 2mm dia. spout		
Diaphragm material	Silicone				
Current rating @ 250V AC	16(4)A ½ HP		16(4)A ½ HP		21(8)A 2HP

6872-versions with double membrane on request

Dimensions



Australian Distributor

K. D. Fisher & Co. Pty Ltd ABN 27 007 879 647
 Head office 18 Benjamin Street St Marys SA
 5042 T +61 8 8277 3288 T 1300 533 474
 E kdf@kdfisher.com.au kdfisher.com.au